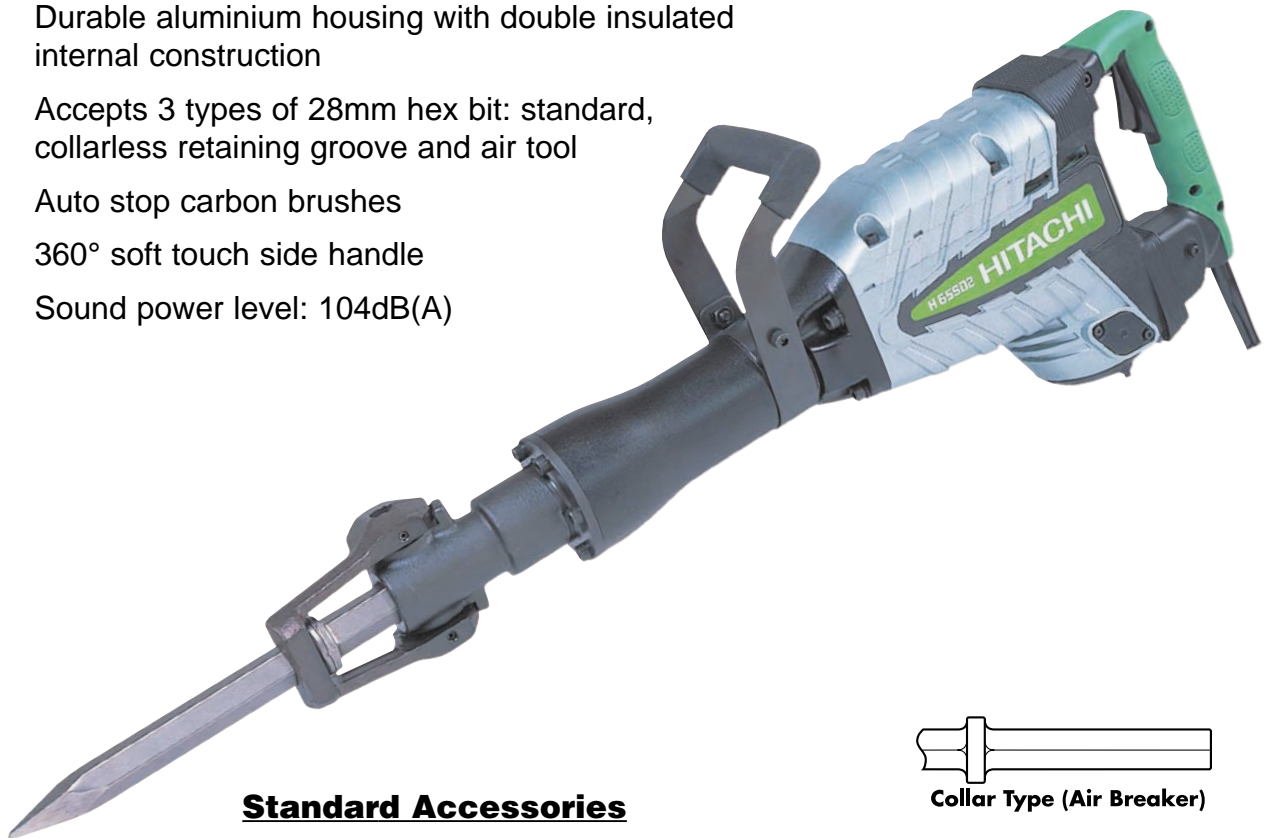


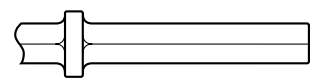
H65SD2 **Heavy Duty Breaker**

- Best demolition performance in its class
- Innovative new design
- Anti-vibration handles for excellent vibration reduction
- Durable aluminium housing with double insulated internal construction
- Accepts 3 types of 28mm hex bit: standard, collarless retaining groove and air tool
- Auto stop carbon brushes
- 360° soft touch side handle
- Sound power level: 104dB(A)

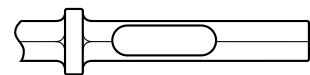


Standard Accessories

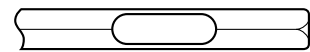
- Two wrenches
- Steel carrying case



Collar Type (Air Breaker)



Collar and Groove Type



Groove Type

Model No	Bit Shank	Power Input	Full Load Impact Rate	Impact Energy	Length	Weight
H65SD2	28mm Hex	1340W	1400/min	42.0J	823mm	18.5kg